

## Oil Lift – Titan Rod Lock

Strong, Solid, Durable. Secure Your Assets with OilLift's Newest Rod Lock

### OVERVIEW

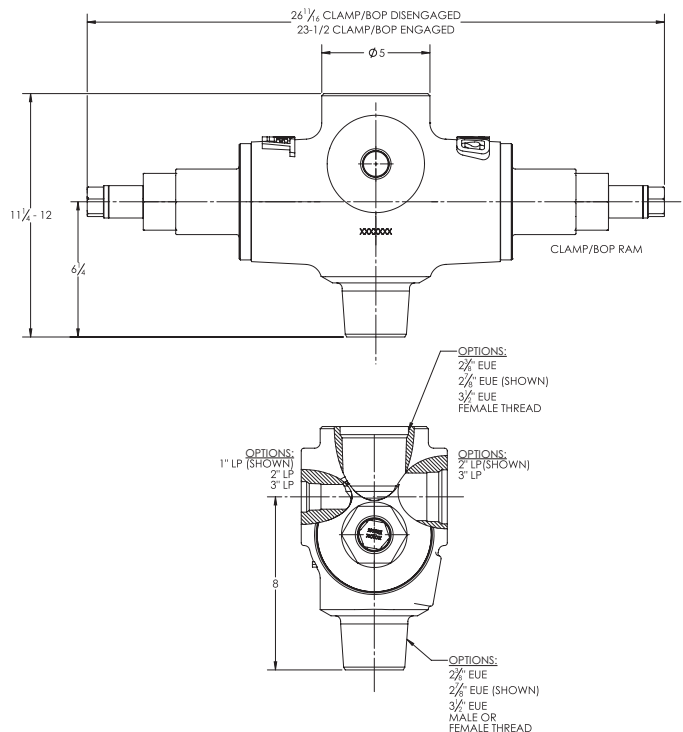
- ▶ Lessens the risk of surface spills by reducing the number of connections in the flow line
- ▶ Safer and faster way to lock out the well when conducting polished rod clamp, stuffing box, and rod rotator changeouts
- ▶ Compact height for more flexibility on Pumping Unit placement and space-out
- ▶ Lowers your cost of operating, reducing one picker or flush-by will pay for the unit multiple times over
- ▶ Ram bolts are isolated from product fluid for easy actuation and to protect against freezing or corrosion
- ▶ Field replacable pressure balanced rams

### KEY FEATURES

- ▶ Top Conn: 3 1/2 EUEF, 2 7/8 EUEF, 2 3/8 EUEF
- ▶ Bottom Conn: 3 1/2 EUE, 2 7/8 EUE, 2 3/8 EUE ( Male or Female)
- ▶ Side Ports: 1", 2", 3" NPT/LP
- ▶ Max Pressure: 3000 psi
- ▶ Body Material: Ductile Iron
- ▶ Max Through Bore: 3 1/8"
- ▶ Polish Rod Sizes: 7/8", 1", 1-1/8", 1-1/4", 1-1/2", Blind

### APPLICATIONS

- ▶ Conventional Rod Pumping Applications



**TITAN**  
ROD LOCK

To learn more, please contact us at 1-403-291-5300 or email [OLT\\_Sales@apergy.com](mailto:OLT_Sales@apergy.com)



**Apergy**<sup>®</sup>